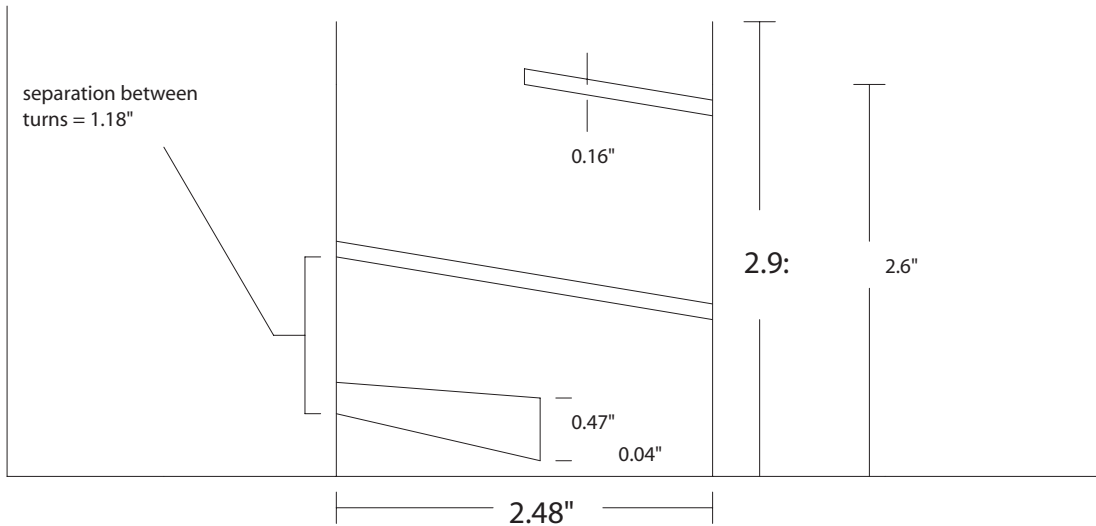


2 turn LCP helix  
first 1/4 turn is tapered  
from 0.47" down to 0.16"  
wide



separation between  
turns = 1.18"

0.16"

2.9:

2.6"

0.47"

0.04"

2.48"

Magic Line  
7x3 aluminum  
cake pan  
7" diam  
3" deep

Center freq. 1420 MHz  
wavelength = 21cm

Note: Helix is LCP to give RCP upon reflection by dish

SRT FEED

25 Apr 05

aeer \srtj\helix.dwg