

MASSACHUSETTS INSTITUTE OF TECHNOLOGY

HAYSTACK OBSERVATORY

WESTFORD, MASSACHUSETTS 01886

Telephone: 978-692-4764

Fax: 781-981-0590

20 December 2001

TO: Distribution
FROM: Alan R. Whitney
SUBJECT: 17 December 2001 e-VLBI telecon summary

Attendees:

Lee Foster, Pat Gary, Bill Wildes – GSFC

Tom Lehman – ISI

Steve Bernstein, Lorraine Prior – Lincoln Laboratory

Richard Crowley, Kevin Dudevior, Hans Hinteregger, Arthur Niell, Alan Whitney – Haystack Observatory

This telecon is one of an ongoing series of telecons to prepare for gigabit/sec e-VLBI demonstrations between NASA GSFC and MIT Haystack Observatory using a combination of network facilities including all or part of GlowNet, Bossnet, ISI-E, SuperNet, Max and GSFC/HECN.

Status Reports

Haystack has prepared two figures detailing the path between Haystack and GGAO. These figures will be kept up-to-date and accessible on the web as much as possible. The attached figures have been updated with comments in red to include all of the relevant status discussed in the meeting. Please refer to these figures for details.

Steve indicated a need for Haystack to buy some Gbics(?) for Summit 5i switches. Alan and Steve will work this off-line.

GigE Performance Tests

Kevin Dudevior presented preliminary test results from back-to-back workstations showing near-theoretical performance at MTU's of 9000 and 4500 bytes. A memo with the detailed results is available at <ftp://web.haystack.edu/pub/e-VLBI/index.html>. Kevin also reported that a brief test of the same workstations connect through two Summit 5i switches showed nearly identical results. These tests were all conducted with no applications running; tests with applications running simultaneously are planned.

Scheduling Issues

The scheduling issues at various points along the path were discussed. The attached figures show in blue scheduling necessities at each of the various facilities and connections along the path.

Tom requests that everyone using Bossnet please use the activity calendar at <<http://www.ngi-supernet.org/>>; request form for calendar entries can be made at this website. Lincoln Lab is agreeable.

Action Items

All: Provide a test workstation at each node and with an account for testing. See attached figures for current and suggested locations.

Kevin: Disconnect Haystack test workstations from all but LL network.

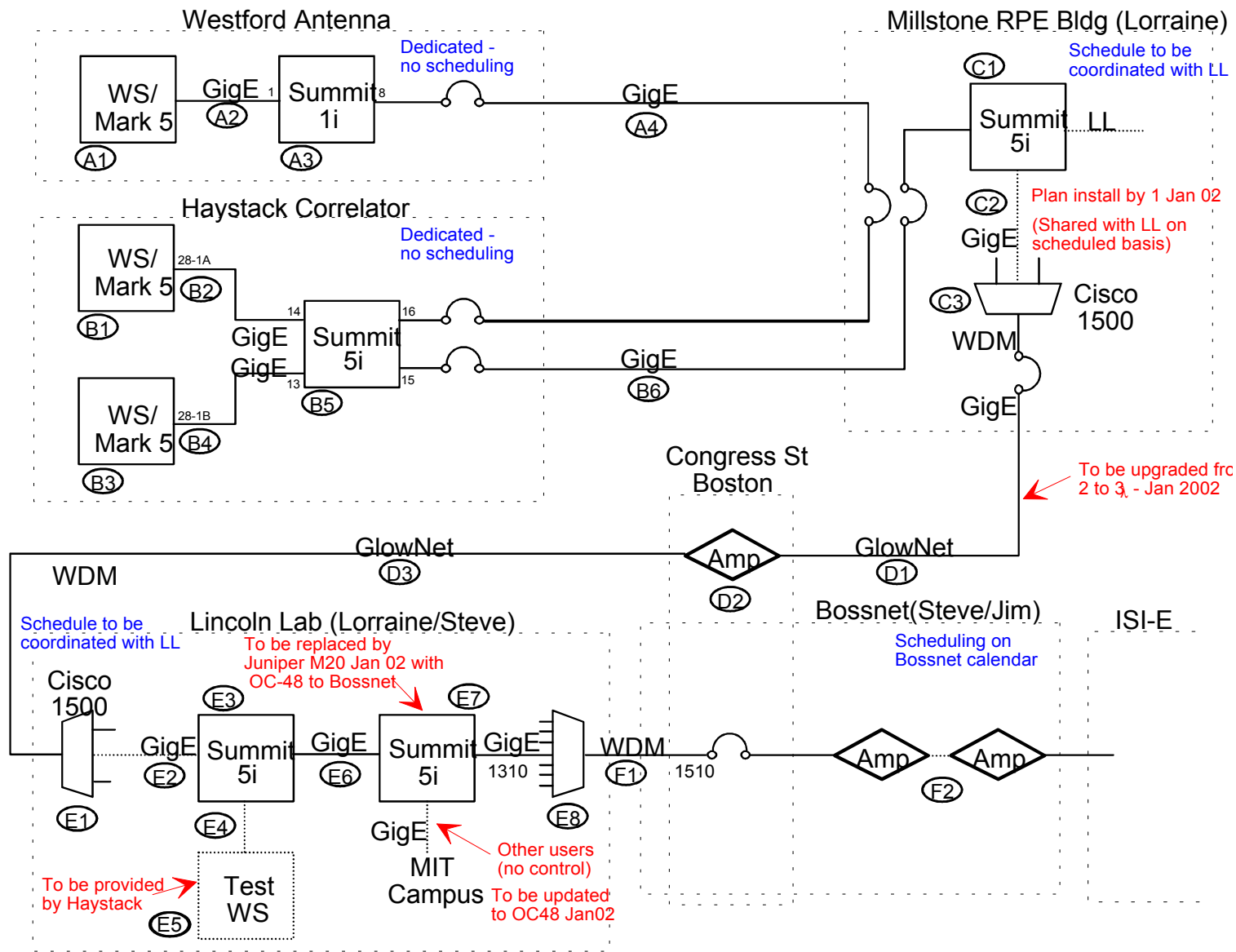
Tom (carried forward): Connectivity to USNO?

All: Continue performance testing.

Next telecon

Next telecon will be Monday, 14 January 2002 at 2 pm.

xc: Steve Bernstein, LL
Jim Calvin, LL
Lorraine Prior, LL
Leslie Weiner, LL
Herbert Durbeck, GSFC
Lee Foster, GSFC
Pat Gary, GSFC
Paul Lang, GSFC
Aruna Muppalla, GSFC
Bill Wildes, GSFC
Dan Magorian, UMCP
Tom Lehman, ISI
Jerry Sobieski, Max
Richard Crowley, Haystack
Kevin Dudevoir, Haystack
Hans Hinteregger, Haystack
Arthur Niell, Haystack
Joe Salah, Haystack



evlbi011.drw
20 Dec 01

Figure 1: e-VLBI Path - Haystack to ISI-E

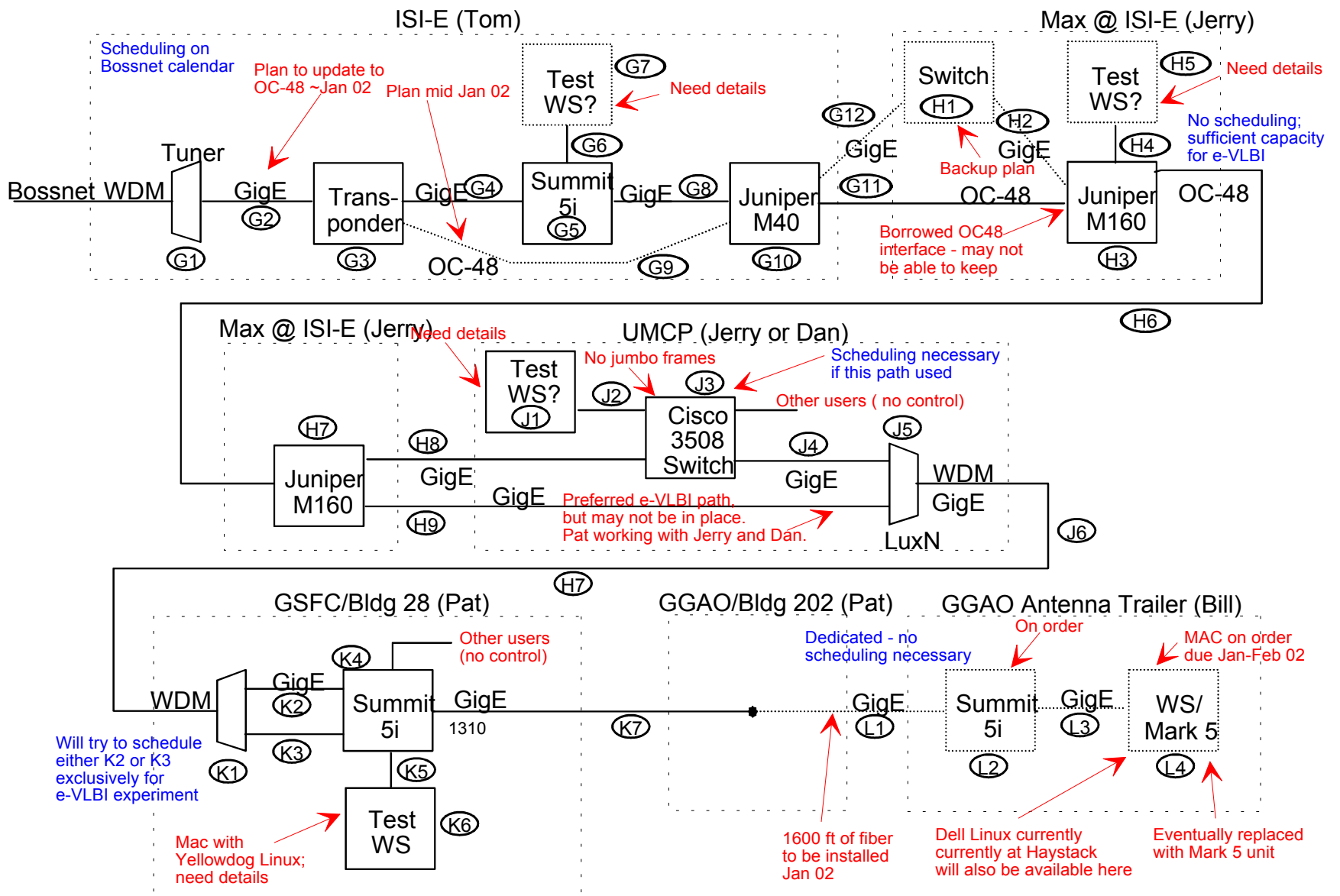


Figure 2: e-VLBI Path - ISI-E to GSFC/GGAO

evlbi011.drw
 20 Dec 01