

MASSACHUSETTS INSTITUTE OF TECHNOLOGY

HAYSTACK OBSERVATORY

WESTFORD, MASSACHUSETTS 01886

Telephone: 978-692-4764

Fax: 781-981-0590

14 February 2002

TO: Distribution
FROM: Alan R. Whitney
SUBJECT: 11 February 2002 e-VLBI telecon summary

Attendees:

Lee Foster, Kevin Kranacs, Paul Lang, Bill Wildes – GSFC

Tom Lehman, ISI

Steve Bernstein, Lorraine Prior – Lincoln Laboratory

Richard Crowley, Kevin Dudevoir, Hans Hinteregger, Alan Whitney – Haystack Observatory

This telecon is one of an ongoing series of telecons to prepare for gigabit/sec e-VLBI demonstrations between NASA GSFC and MIT Haystack Observatory using a combination of network facilities including all or part of GlowNet, Bossnet, ISI-E, SuperNet, Max and GSFC/HECN.

Status Reports

The attached figures of the e-VLBI path have been updated to reflect current status and are pretty much self-explanatory; critical status items are indicated in red. In addition, the following comments are relevant:

- Summit 5i (C1) will be installed at Millstone RPE building on 12 Feb (has now been done) and Haystack test workstation (E5) installed at LL (now also done). Connection E6 will be made after Lorraine has consulted other LL people regarding security since E6 connection will expose connection to MIT traffic as well.
- Tom reported OC-48 testing between ISI and LL, including link G9, was successful, but permanent installation of Juniper M20 is awaiting completion of a DARPA ONRAMP demos in a couple of days and consultation with people at MIT (Dave Foss and Mike McIlrath) for the MIT connection. Will try to complete OC-48 connection by end of week.
- Tom can put a performance test workstation at ISI (position G7).
- A loaner Extreme 5i switch may be available from GSFC to replace switch J3, which would support jumbo frames.
- Fiber link L1 to GGAO antenna trailer has been installed and should be connected by end of this week.

GigE Performance Tests

Kevin D. will do throughput testing to LL as soon as connection C2 is made and the test workstation E5 is available at LL (that has now been done; Kevin has observed 989 Mbps in short tests between Haystack and LL).

Kevin D. is working on crafting a performance test that more closely emulates the e-VLBI application.

Scheduling Issues

Haystack will coordinate with Steve, Lorraine and the WNS people at LL for use of Glownet/Bossnet.

Action Items

Pat: Coordinate with Jerry or Dan for use of MAX infrastructure between ISI and NASA. [Suggested that Pat, as a MAX card carrier, work this coordination.]

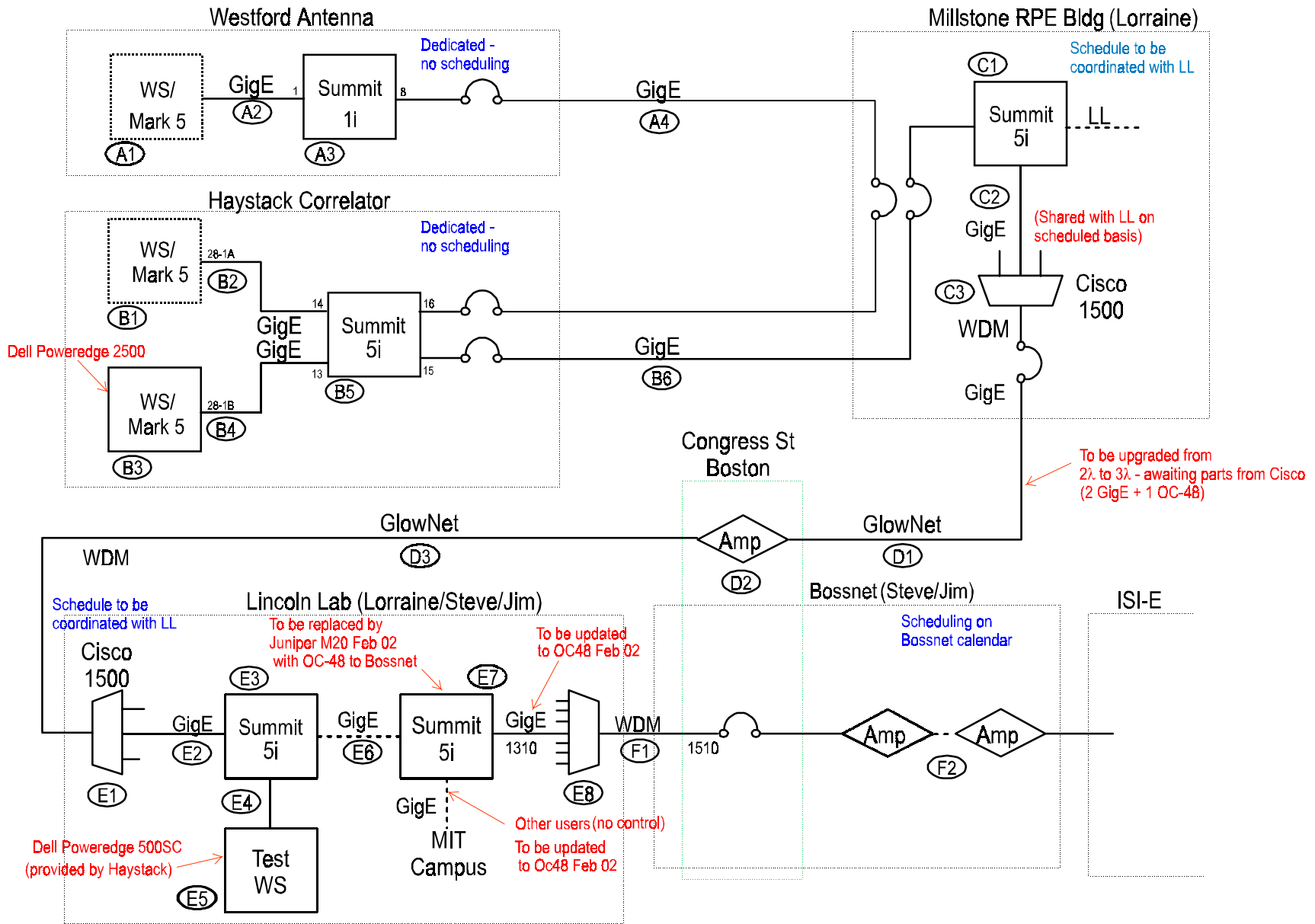
Tom: Installation of test workstation at position G7 at ISI.

All: Provide a test workstation at each node and with an account for testing. See attached figures for current and suggested locations.

Next telecon

Next telecon will be Monday, 4 March 2002 at 2 pm.

xc: Steve Bernstein, LL
Jim Calvin, LL
Lorraine Prior, LL
Leslie Weiner, LL
Herbert Durbeck, GSFC
Lee Foster, GSFC
Pat Gary, GSFC
Chuck Kodak, GSFC
Kevin Kranacs, GSFC
Paul Lang, GSFC
Aruna Muppalla, GSFC
Bill Wildes, GSFC
Dan Magorian, UMCP
Tom Lehman, ISI
Jerry Sobieski, Max
Richard Crowley, Haystack
Kevin Dudevoir, Haystack
Hans Hinteregger, Haystack
Arthur Niell, Haystack
Joe Salah, Haystack



evlbi011.cdr
14 Feb 02

Figure 1: e-VLBI Path - Haystack to ISI-E

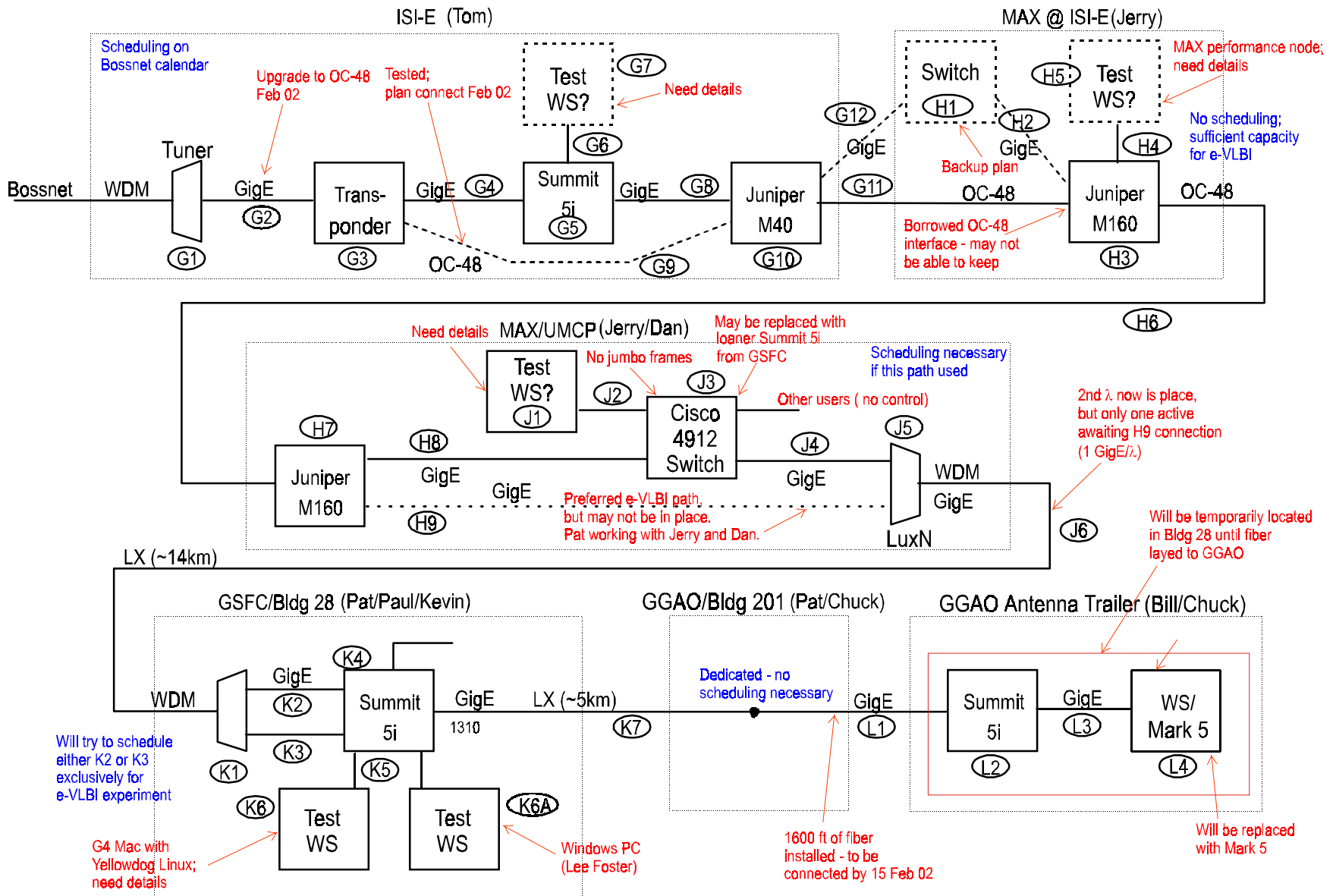


Figure 2: e-VLBI Path - ISI-E to GSFC/GGAO

evlbi012.cdr
14 Feb 02