

Figure 1: e-VLBI Path - Haystack to ISI-E

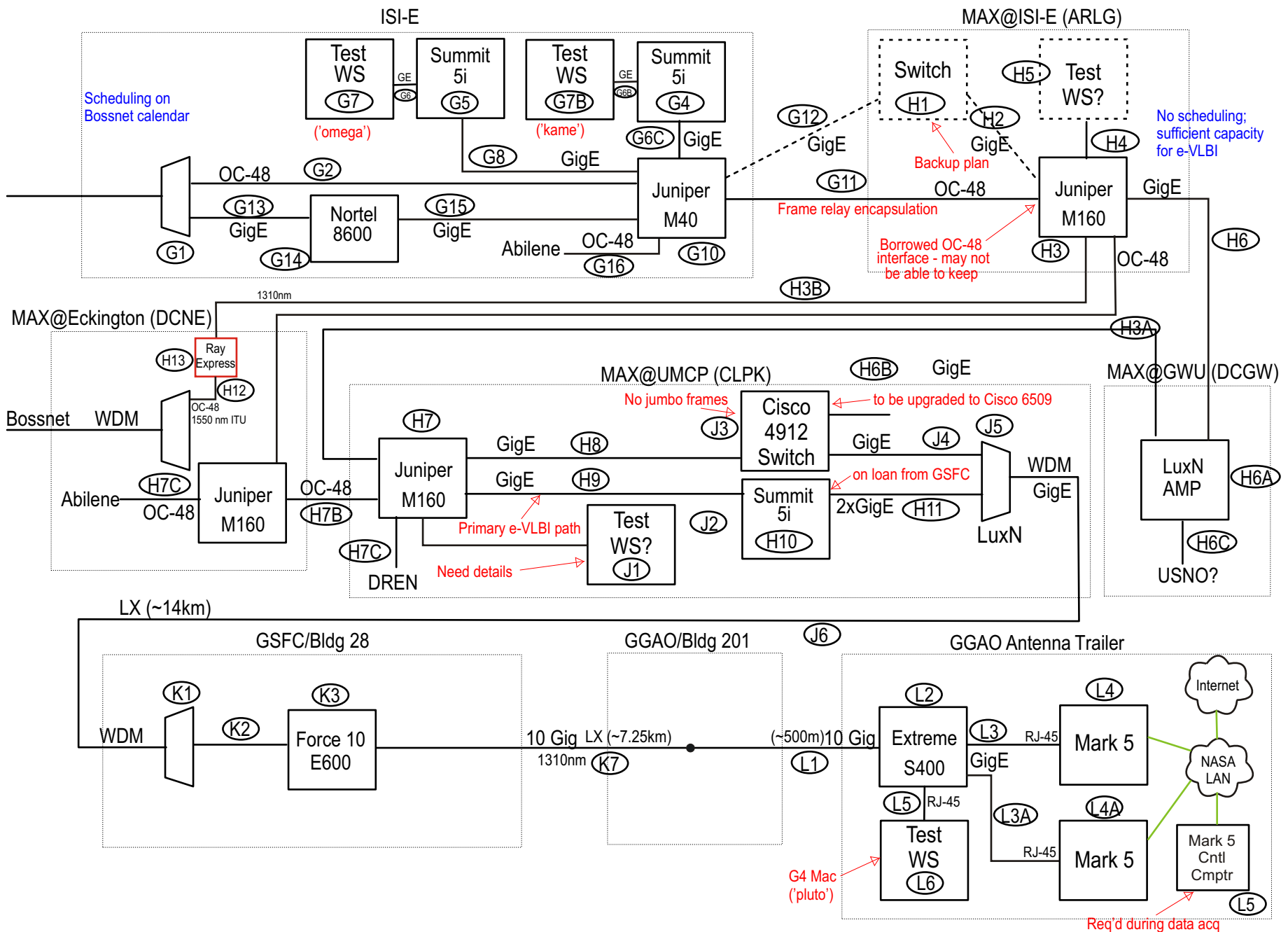
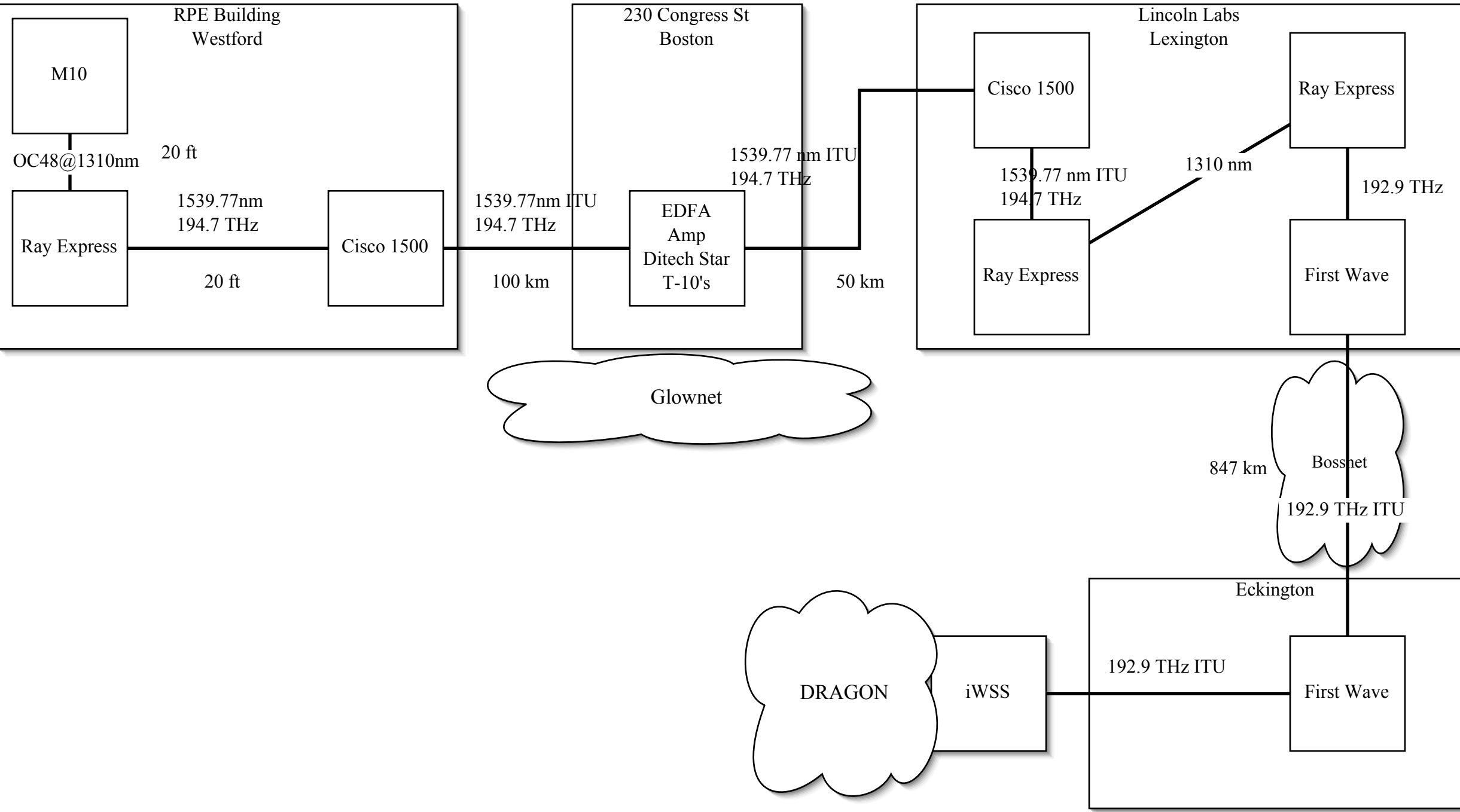
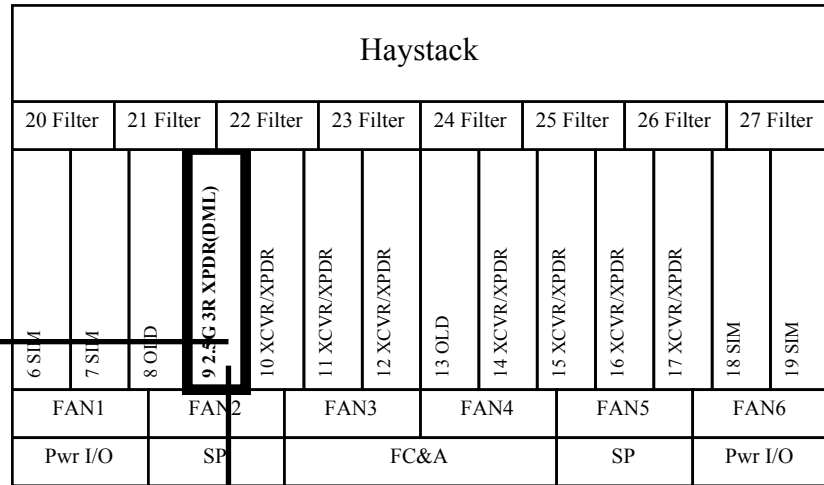


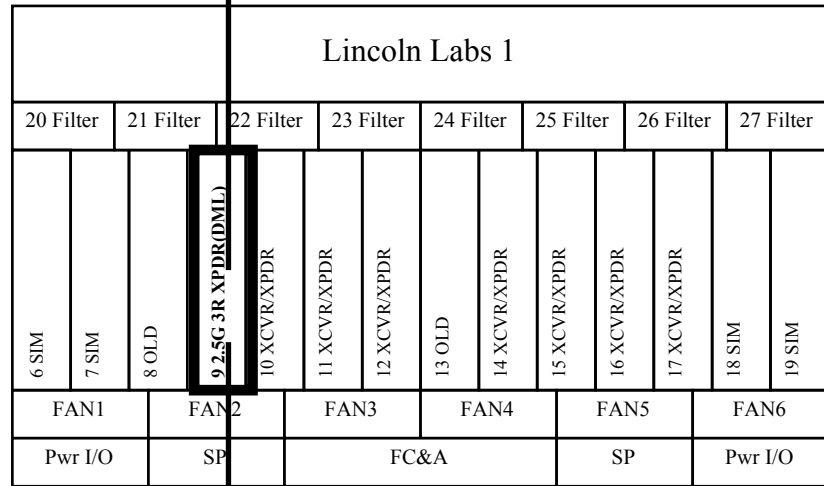
Figure 2: e-VLBI Path - ISI-E to GSFC/GGAO



1310 nm

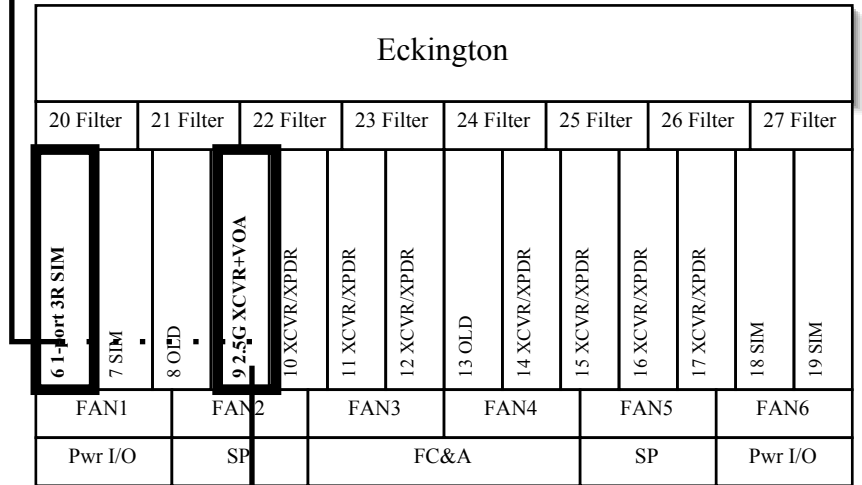


1539.77 nm
194.7 THz

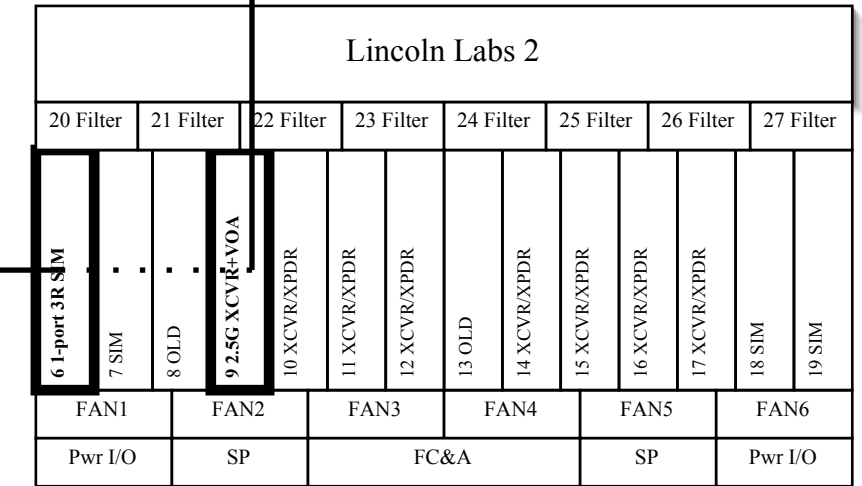


1310 nm

1310 nm



1554.13 nm
192.9 THz



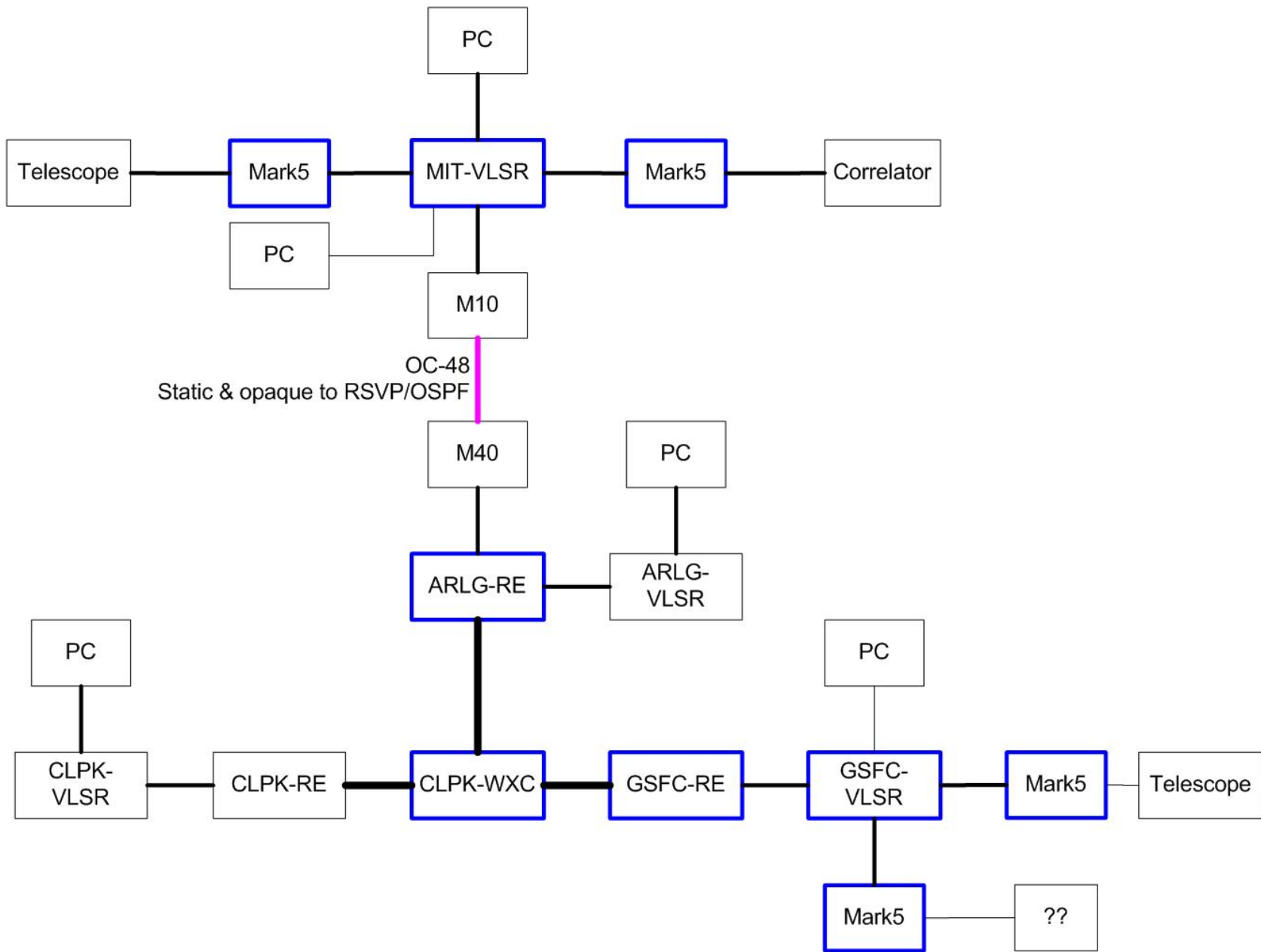


Figure 2: e-vlbi signaling components

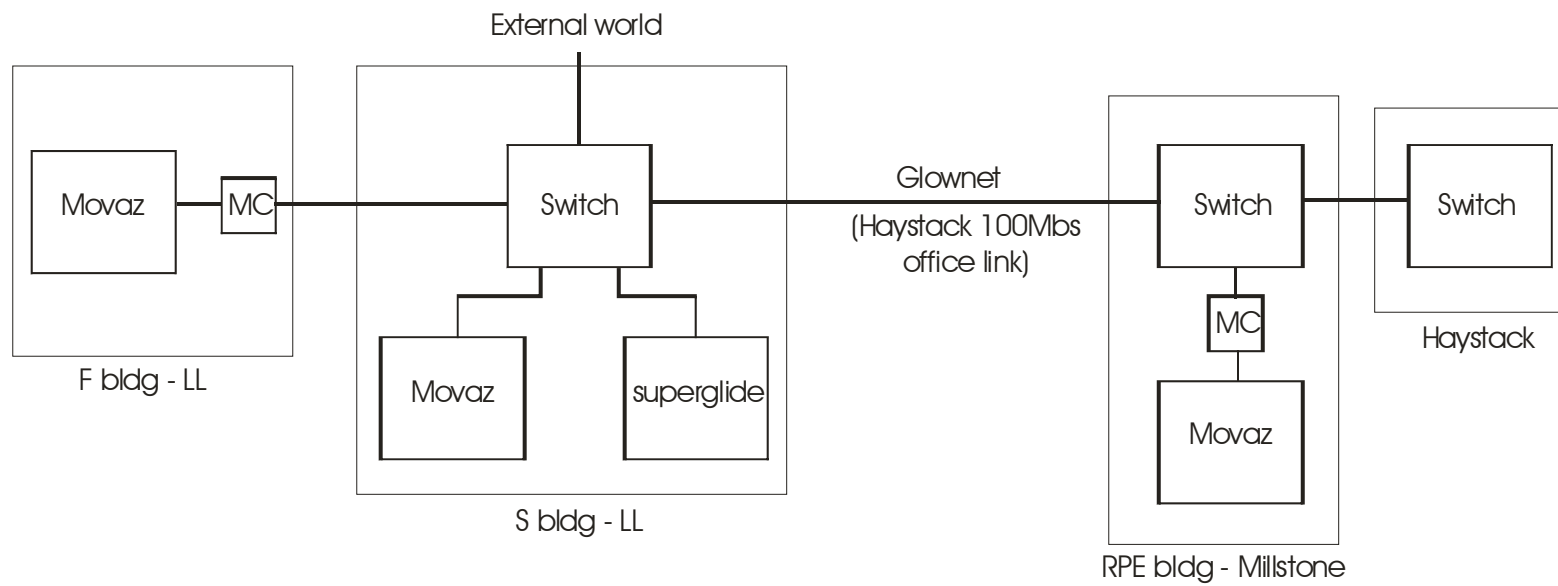


Figure 3: Simplified schematic of Movaz control plane